

Parking shelter *RECA RSC-3*

Type of system: Two-supported

Installation method: Attached to concrete

Module type: Single-sided and two-sided

Material: S390 structural steel

Anti-corrosion coating: Magnelis®

Intended use: Carport

Inclination angles: 10°

Module arrangement: 4 modules horizontally

Number of stations: 1 / 2 stations

Roofing option: trapezoidal sheet, BIPV modules



trapezoidal roof



glass-glass module BIPV

Magnelis®



Durability and reliability

All of our mounting systems are coated with the innovative Magnelis® coating, which is up to 10 times more corrosion-resistant than typical galvanised steel.



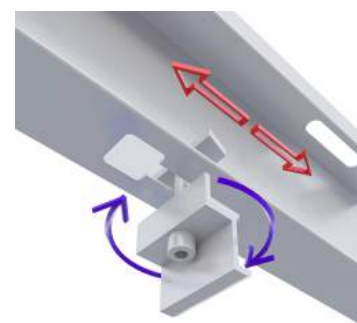
Savings and economy

Optimised project ensures low cost and consumption of construction material and high reliability for many years, which results in a lower price and higher return on investment over the years.



Eco-friendly

The system has been developed and manufactured in accordance with certified sustainability standards. In addition, the components are recyclable and can be easily dismantled.



Quick and easy installation

POLISH MANUFACTURER