

# SYSTEM CATALOG SHEET

# RECA RS



## Ground structure system RECA RS-8

**Type of system:** Three-supported

**Installation method:** Driven into the ground

**Module type:** Single-sided with a frame

**Material:** S390 structural steel

**Anti-corrosion coating:** Magnelis®

**Intended use:** Commercial

**Inclination angles:** 10-15°

**Module arrangement:** 4 modules horizontally



Wind zones



Snow zones



Three-supported



Driven into the ground



Module with frame



Horizontal installation



Varied inclination angles of panels



Guarantee



Magnelis®



### Durability and reliability

All of our mounting systems are coated with the innovative Magnelis® coating, which is up to 10 times more corrosion-resistant than typical galvanized steel.



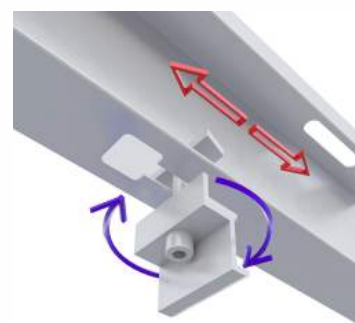
### Savings and economy

Optimised project ensures low cost and consumption of construction material and high reliability for many years, which results in a lower price and higher return on investment over the years.



### Eco-friendly

The system has been developed and manufactured in accordance with certified sustainability standards. In addition, the components are recyclable and can be easily dismantled.



## Quick and easy installation

POLISH MANUFACTURER